

PSA Oxygen Generator

AS-D



AirSep Alpha Series Oxygen Generators produce from 20 to 5,500 cubic feet of oxygen per hour at up to 95% oxygen concentration. When electricity and a source of compressed air is supplied, these dependable machines can provide oxygen for practically any application.

Features

- Produces oxygen from an independent compressed air source
- Microprocessor controlled
- Low operating cost
- Automatic and unattended operation
- Easy to install and maintain

Typical Applications

Manufacturing

- Cutting/Brazing/Soldering
- Thermal/Chemical Oxidation
- Glass Work/Blowing

Medical

- Hospital Systems

Environmental

- Ozone (Generator) Feed Gas
- Environmental Remediation
- Waste/Water Treatment

Additional

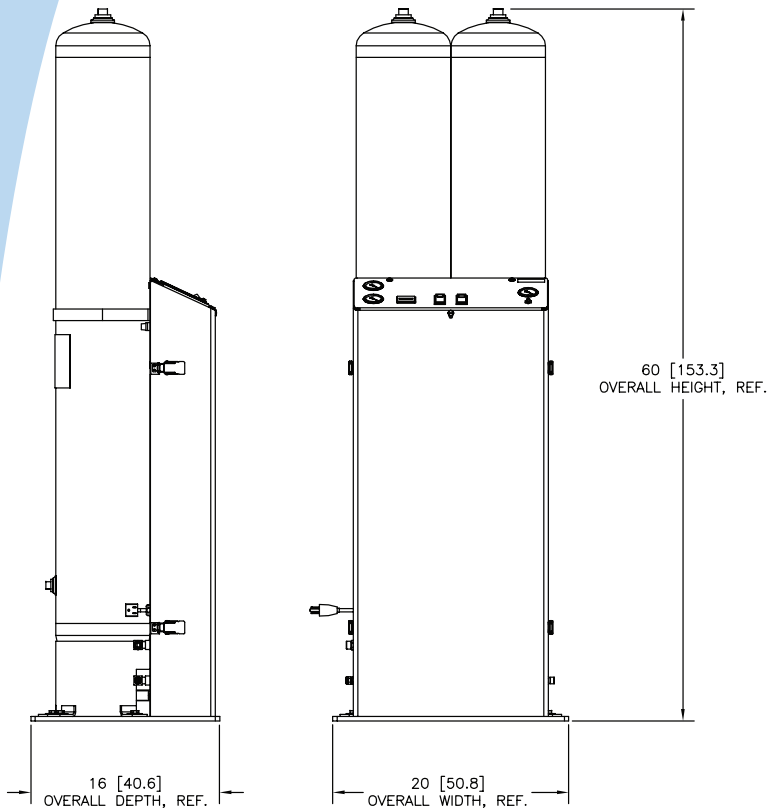
- Fish Farming

Specifications

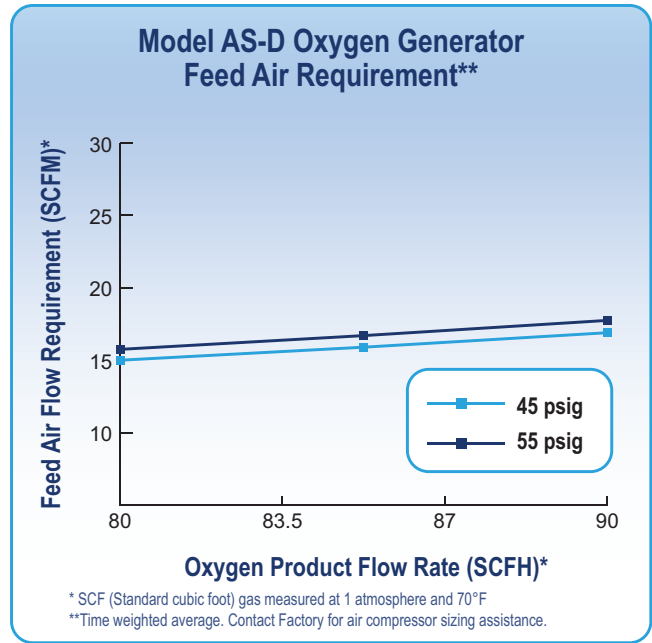
Product Flow	80 – 90 SCFH (2.10 – 2.37 Nm ³ /hr or 37 – 42 LPM) ¹
Product Pressure	45 – 55 psig (310 – 379 kPa or 3.0 – 3.7 barg) ¹
Product Concentration	Up to 95%
Product Dew Point	-100°F (-73°C)
Dimensions (W x D x H) (Nominal)	20 x 16 x 60 in (51 x 41 x 152 cm)
Weight	361 lb (164 kg)
Physical Connections ²	
Compressed Air Inlet	¼" FNPT
Product Gas Outlet	¼" FNPT
Ambient Operating Conditions	Locate the oxygen generator in a well-ventilated area that is protected from weather elements and remains between 40°F (4°C) and 104°F (40°C)
Feed Air Requirements	Flow Rate: <i>Refer to chart on reverse page.</i> Clean and Dry "Plant Air" (Class 5.6.4 per ISO 8573.1) Pressure: 90 psig (621 kPa or 6.2 barg) minimum Temperature: 122°F (50°C) maximum
Control Power Requirements (Single Phase)	120 V ~ ±10%, 50/60 Hz, 1.0 A or 220 V ~ ±10%, 50/60 Hz, 0.5 A
NRTL Certifications and Approvals	ASME Section VIII Division 1, CAN/CSA-C22.2 No. 61010-1-12, ANSI/UL Std. No. 61010-1:2012 (120 V configurations only)
60 Gallon Oxygen Receiver	
Dimensions (Dia. x H)	26 x 52 in (65 x 131 cm)
Weight	159 lb (72 kg)

¹ SCF (Standard cubic foot) gas measured at 1 atmosphere and 70°F / Nm³ (Normal cubic meter) gas measured at 1 atmosphere and 0°C / LPM (Liters per minute) gas measured at 1 atmosphere and 21°C

² Hose and applicable adapters included with optional Factory-supplied accessory kits.



Note: All dimensions are nominal.



Ordering Information

Model	Part Number	Description	
AS-D	AS102-1	120 V ~ ±10%, 50/60 Hz ¹	
	AS102-2	220 V ~ ±10%, 50/60 Hz ¹	
	AS102-9	With CE Approved Vessels, 220 V ~ ±10%, 50/60 Hz ¹	
Required Accessories	TA150-1	60 Gallon Oxygen Receiver	
	KI411-1	Accessory Kit (interconnecting hoses/fittings and oxygen regulator)	
Optional Accessories	TA133-1	60 Gallon Oxygen Receiver, CE-PED	
	KI411-2	Accessory Kit (interconnecting hoses/fittings, oxygen regulator and oxygen filter)	
	KI474-1	Accessory Kit (10 ft stainless braided oxygen hose - from oxygen regulator to use point)	
	KI404-1	Accessory Kit (manual switch-over manifold for cylinder backup)	
	AN021-1	Oxygen Analyzer (Maxtec Handi)	
	AN005-1	Oxygen Analyzer (Maxtec Max O ₂ Plus)	
	AN075-1	Oxygen Analyzer/Sensor (Maxtec Max O ₂ Plus)	
Shipping Information		AS-D	60 Gallon Oxygen Receiver
Class		92.5	70
Commodity Classification Number		8421.39.8040	7311.00.0000
Dimensions (W x D x H)		25 x 65 x 29 in (64 x 165 x 74 cm) with Accessory Kit(s), Crated 25 x 65 x 24 in (64 x 165 x 61 cm) with Accessory Kit(s) and CE Beds, Crated	28 x 30 x 56 in (71 x 76 x 142 cm)
Gross Weight		463 lb (210 kg) with Accessory Kit(s), Crated 386 lb (175 kg) with Accessory Kit(s) and CE Beds, Crated	177 lb (80 kg)

Warranty: 1 Year Parts and Factory Labor***

*** An unprotected or inadequately ventilated environment, or improper control power may cause damage to the oxygen generator not covered under warranty.

¹ Specify oxygen flow and pressure at time of order.

All performance ratings based on an ambient temperature up to 100°F (38°C), up to 1,000 feet elevation, and 80% relative humidity.



© 2019 AirSep Corporation. All Rights Reserved.
 AirSep reserves the right to discontinue its products, or change the prices, materials, equipment, quality, descriptions, specifications and/or processes to its products at any time without prior notice and with no further obligation or consequence. Any rights expressly stated herein are reserved by us, as applicable.



260 Creekside Drive
 Buffalo, NY 14228-2075 U.S.A.
 Tel: (716) 691-0202 ■ Fax: (716) 691-1255
 www.airsepcpd.com ■ info@airsep.com
 ML-IND0010 D