

SmartStack Patient Care Stand

*“Improvements based on valuable
feedback from our customers”*



*24" wide base design leaves
wider footprint for added applications*



*The Pole Height Can Be
Adjusted Quickly & with Ease*

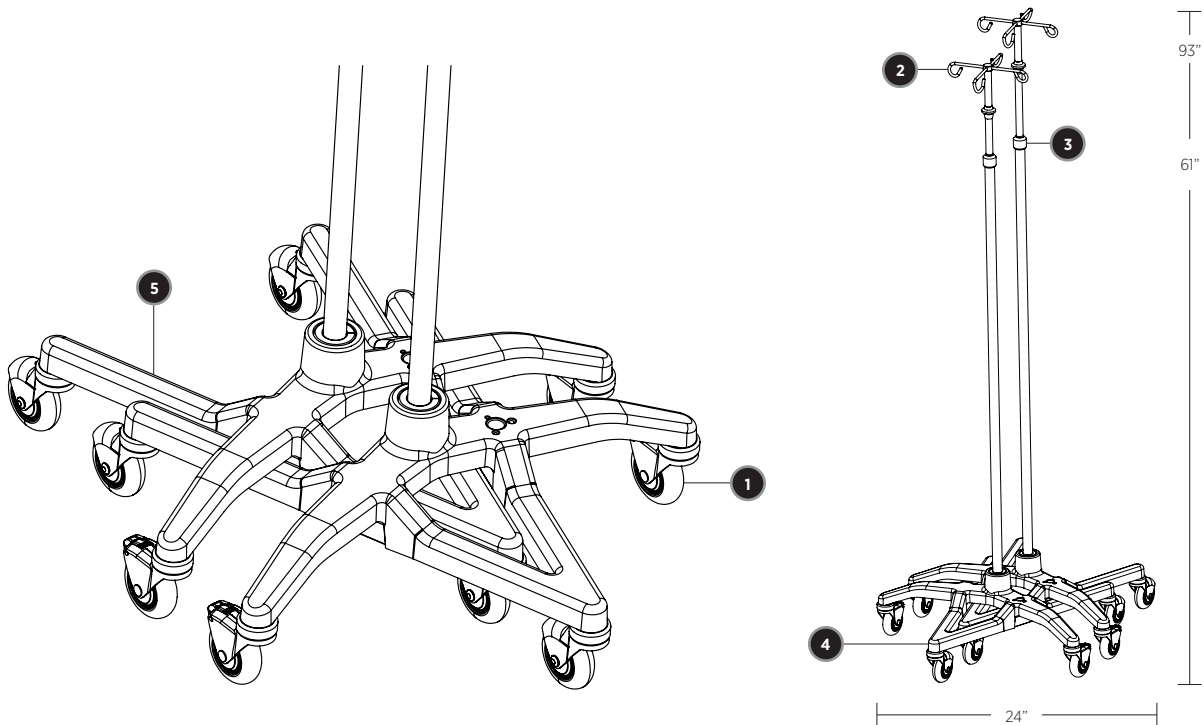
*More sturdy base design
for added stability and durability*



► New & Improved!

The **ALL-NEW** 24" SmartStack patient care pole is what you have been waiting for! This specially designed 24" pole base is two inches wider and nearly 5 pounds heavier, providing extra stand support and durability. Its patented design will still stack neatly with other bases of its kind (22" and 24"), allowing for extra storage space, a more organized facility and easy transportation of multiple stands all at once.





1. Large, Smooth Rolling Caster

Rolls smoothly and quietly on all floor surfaces

3. Easy Adjustment

One-handed height adjustment

5. Heavier Base

Nearly 5 lbs heavier than previous model

2. Includes 4 fixed Ram-Horn Hooks

Can hold up to 50lbs on Top Portion

4. Wide Base

New 24" base for added applications

Specifications

| | |
|---------------------------|---|
| Collapsed Height | Pole 54", Pole w/ Base 61" (measured from floor to top of hook assembly) |
| Extended Height | Pole Extended 86", Pole w/ Base 93" (measured from floor to top of hook assembly) |
| Casters | Neoprene Tread, Chrome Steel, 3" QTY: 5, 2 Locking, 3 Non-Locking |
| Weight Capacity | 100lbs Total, 50lbs on Top Portion, 11lb Maximum One Hook |
| Wheel Base Diameter | .24" |
| Nesting Base | .5" (center to center) |
| Weight | 19lbs |
| Shipping Weight | .Base: 113lbs, Poles 28lbs (six units) |
| Pole Diameter | .25mm (bottom portion) 18mm (upper portion) |
| Base Material | .Powder coated aluminum |
| Pole Material | .Stainless Steel |
| Ram-Horn Hooks | .4 fixed |
| Restrictions | .Not MRI Compatible |